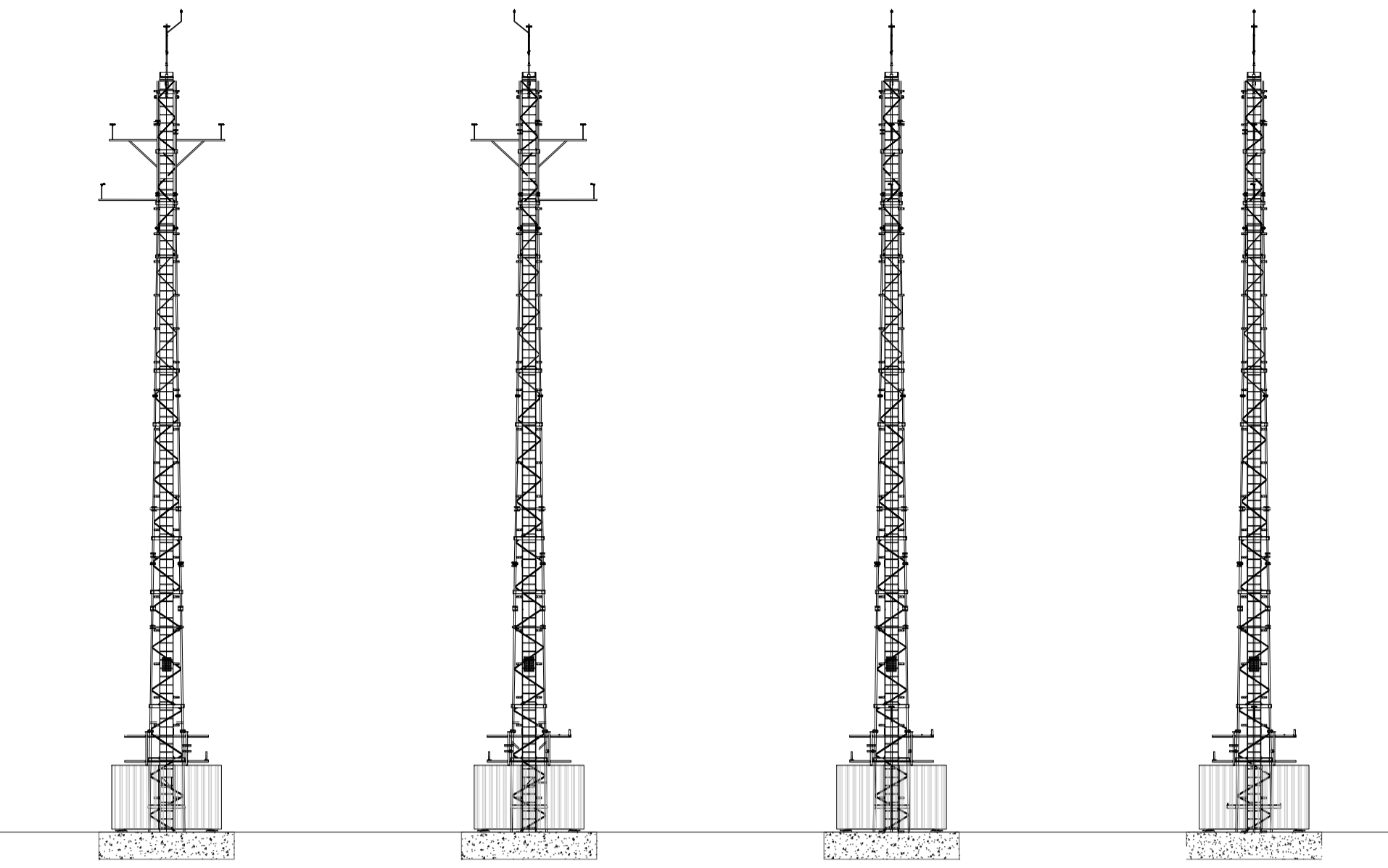
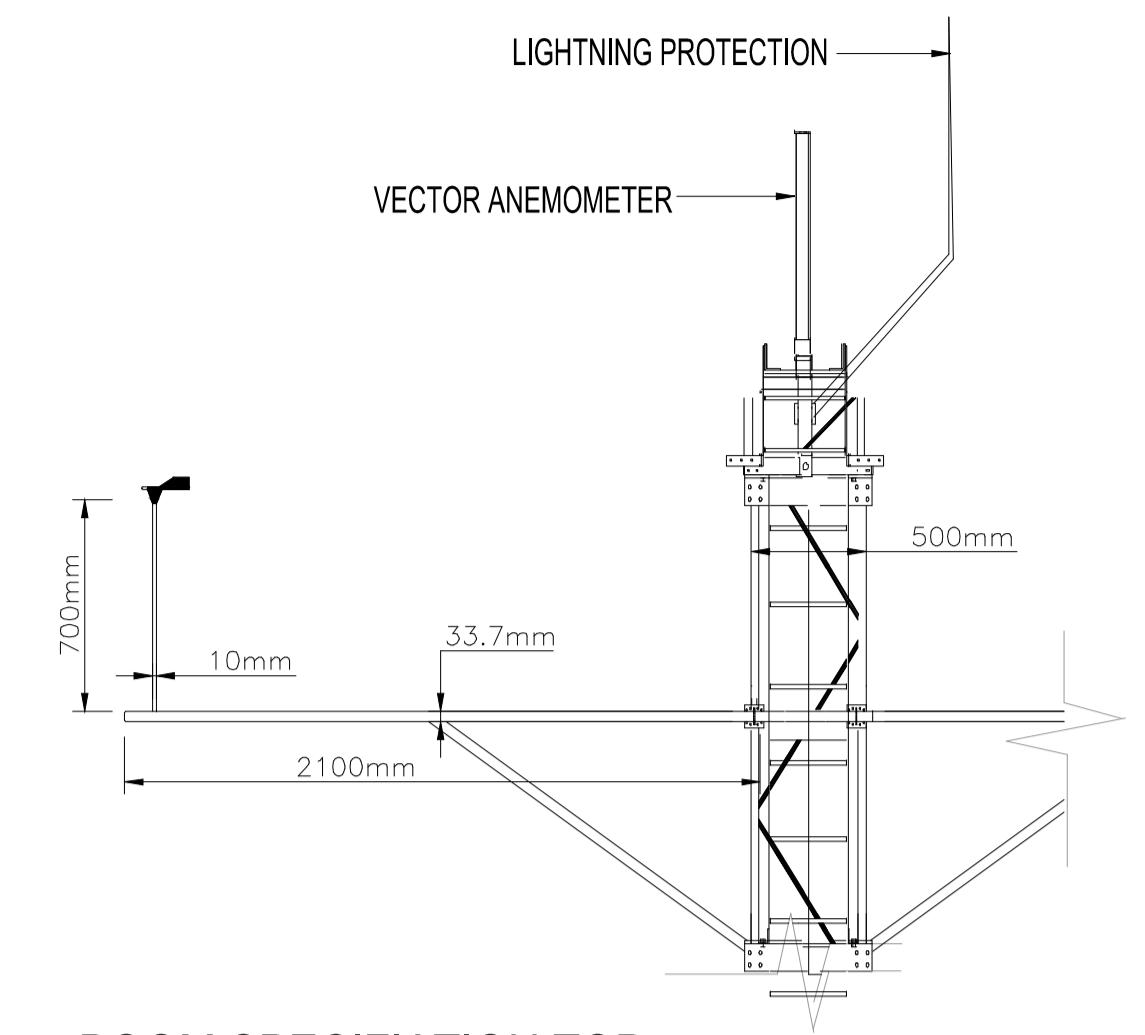


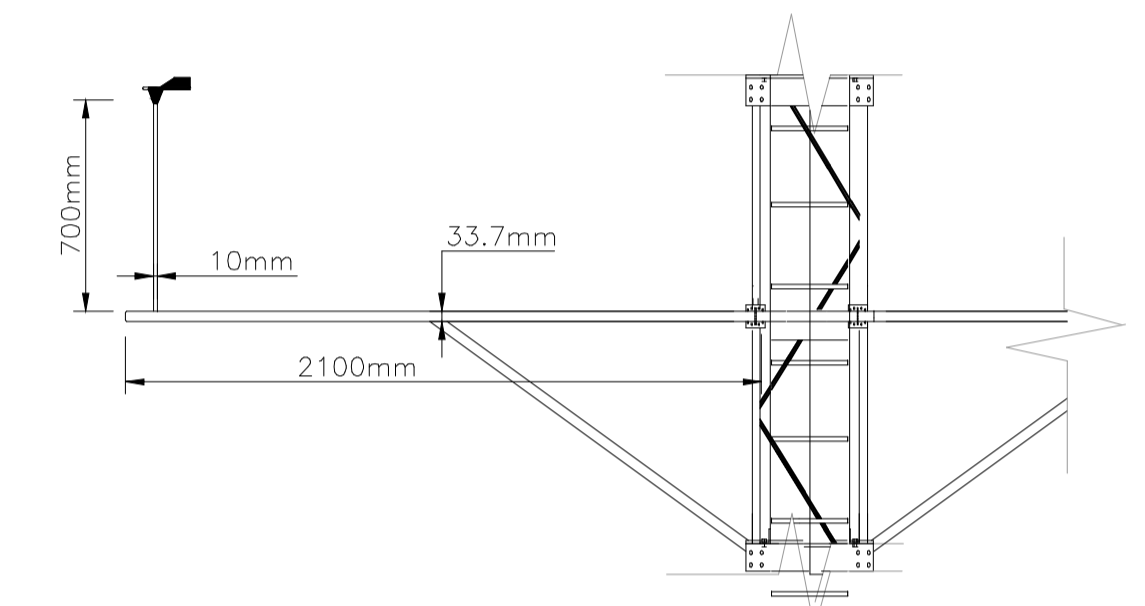
**ELEVATION OF METEOROLOGICAL MAST**  
Scale 1:200



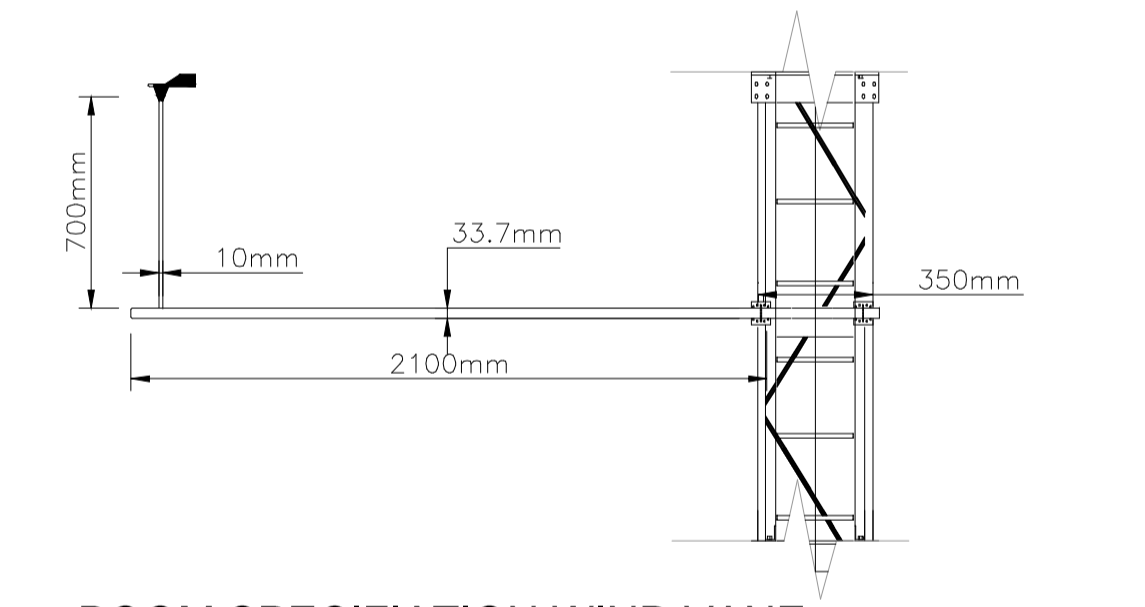
**NORTH ELEVATION Scale 1:200**  
**SOUTH ELEVATION Scale 1:200**  
**EAST ELEVATION Scale 1:200**  
**WEST ELEVATION Scale 1:200**



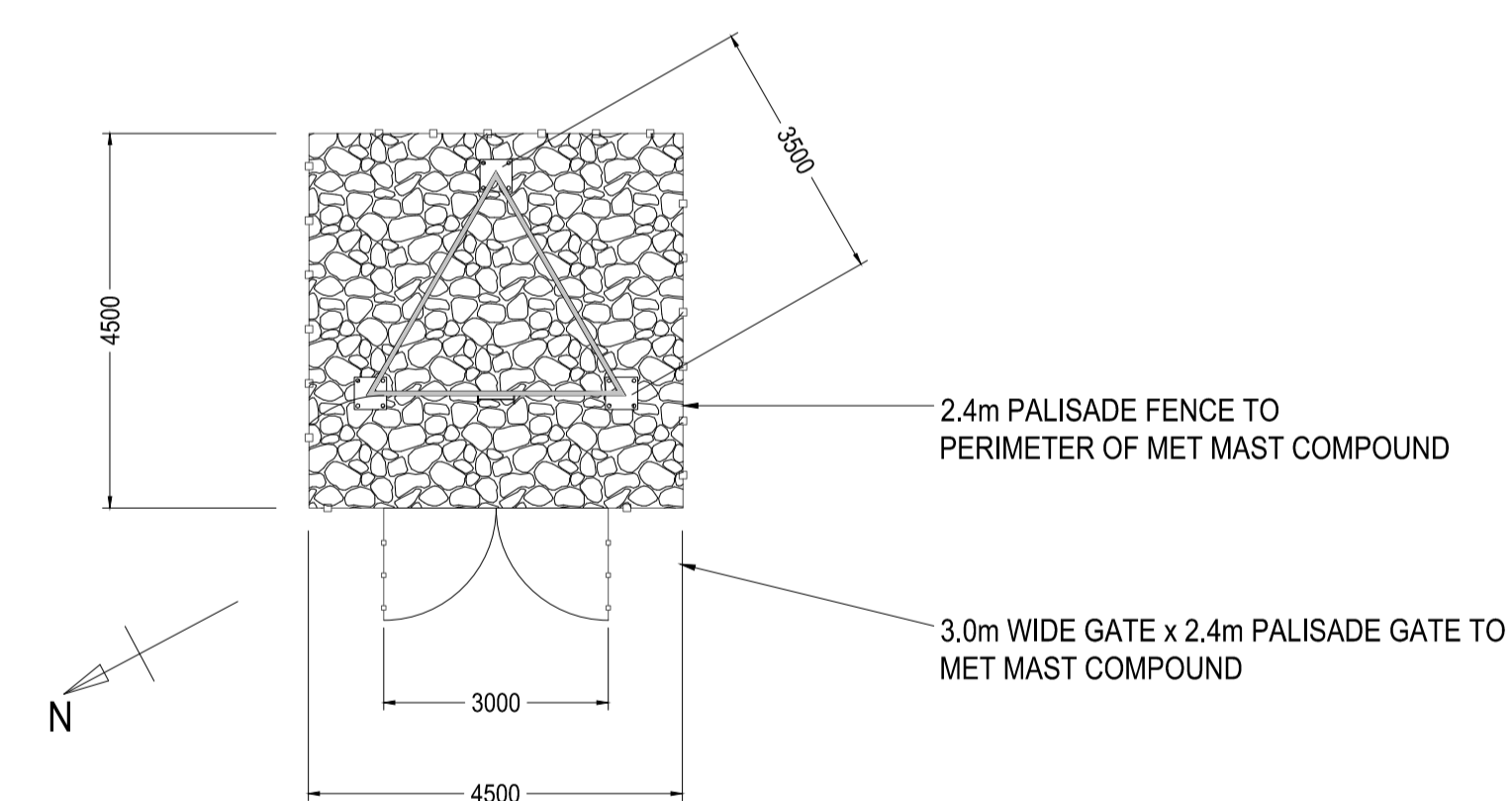
**BOOM SPECIFICATION TOP**  
SCALE 1:20



**BOOM SPECIFICATION DOUBLE BOOM ANEMOMETER**  
SCALE 1:20

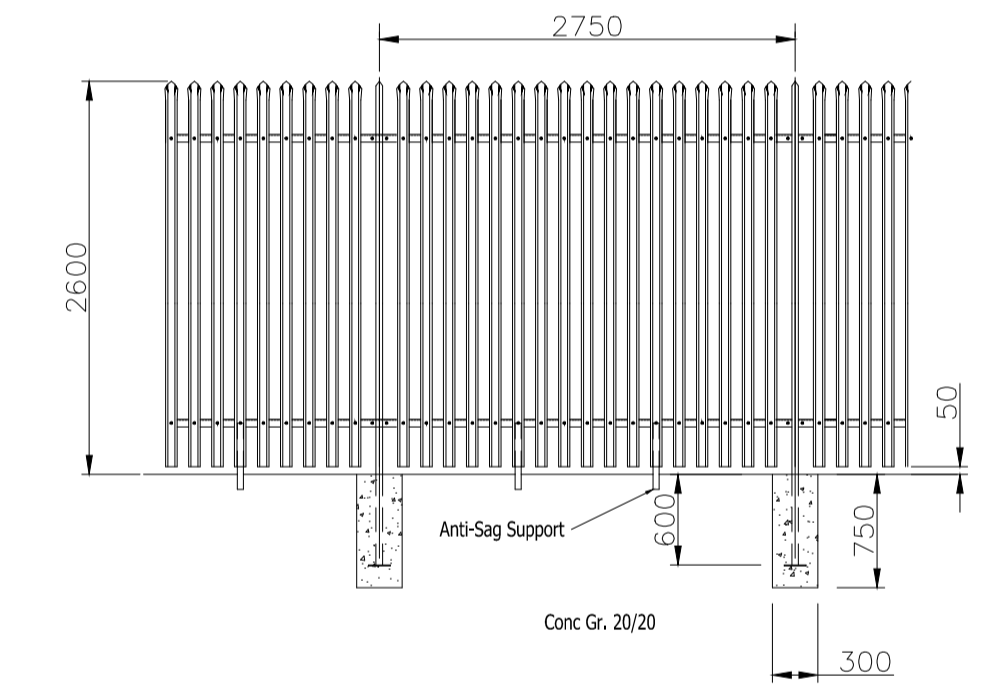


**BOOM SPECIFICATION WIND VANE**  
SCALE 1:20



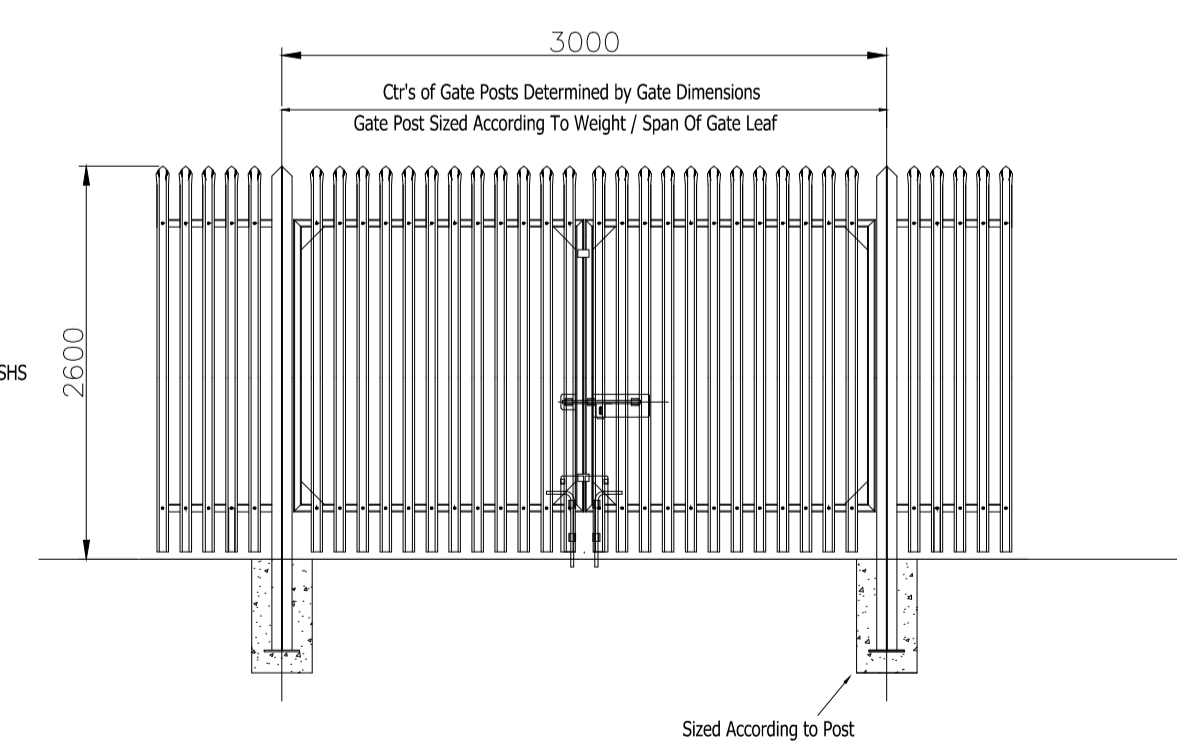
**PLAN OF METEOROLOGICAL MAST BASE**  
Scale 1:100

**PALISADE FENCING SPEC:**  
Fence Post : 102 x 44 RSJ Nom Ctr's  
: 2.75m Pales : Cold Formed 3.5mm  
Thk Triple Pointed & Splayed @ Top  
Pales @152 Ctr's Rails: 50x50x6  
Foundation: 300 Sq x 800 dp  
1/3 Anti-Sag Supports to btm rail



**PALISADE FENCING DETAIL (1:50)**

**Palisade Gate Spec :**  
Gate Post : RSJ, UB or UC Hanging  
Stile Closing Stile Top / Bottom Rail  
Triangular Corner Gussets Sliding  
Locking Bar Slam Plates 6mm Thk  
Drop Bolts & Sockets Corrugated  
pales



**PALISADE GATE DETAIL (1:50)**

THIS DRAWING IS FOR PLANNING PURPOSES ONLY. IT IS NOT TO BE USED AS A CONSTRUCTION DRAWING.



ScottishPower Renewables  
320 St Vincent Street  
Glasgow  
G2 5AD  
  
Email: info@scottishpowerrenewables.com  
Web: www.scottishpowerrenewables.com

**Notes**  
1. This drawing is the property of ScottishPower Renewables UK Ltd. It is a confidential document and must not be copied, used, or its contents divulged without prior written consent.  
2. Scale AS NOTED @ A1

| Rev. | Date | By | Amendments |
|------|------|----|------------|
|      |      |    |            |

Project  
**BARNESMORE WINDFARM REPOWERING**

Title  
**INDICATIVE METEOROLOGICAL MAST DETAILS**  
**FIGURE 2.4**

| Issue Details   |              |
|-----------------|--------------|
| Designed: JOD   | Information  |
| Drawn: A.McC    | Approval     |
| Checked: S.M    | Tender       |
| Approved: DK    | Construction |
| Scale: AS NOTED | Record       |

| Office Use Only                          |      |
|--|------|
| Drawing Number:<br><b>5952-1000-1003</b> |      |
| Date:<br>19/10/19                        | Rev. |